

euroseats

One-touch lifting enables easy installation

Belcel / phone booth POD.001

Privacy / Flexibility / Versatility / Innovative / ECO



Phone



Online meeting



Office

euroseats



Electric Height Adjustable

Electric height adjust system helps you install the pod faster.



Packaging Reduction

For cost-effective transportation and easy lift access.



Soundproof

Keep outside noise out – and inside noise in.



Short leadtime

Quick delivery from stock in black and grey.



Breathe Easier

Adjustable ventilation guarantees fresh air to suit your preferences.



Build-in Table Top

Conveniently holds your laptop, coffee and notebooks.



LED Lighting

Optimized for video calls.



Convenient Charging

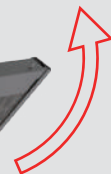
Ensuring that your devices are always powered up and ready to go.

Max. Load Capacity	287lbs / 130kg
Power Type	100V-240V
Sound insulation	25dB±5dB
Built-in Desk Size	26.8"x13.8" / 680x350mm
Pod Dimensions	40.2"x40.2"x89.0" / 1020x1020x2260mm



euroseats

Demonstration of the Electric Height Adjustment Process.

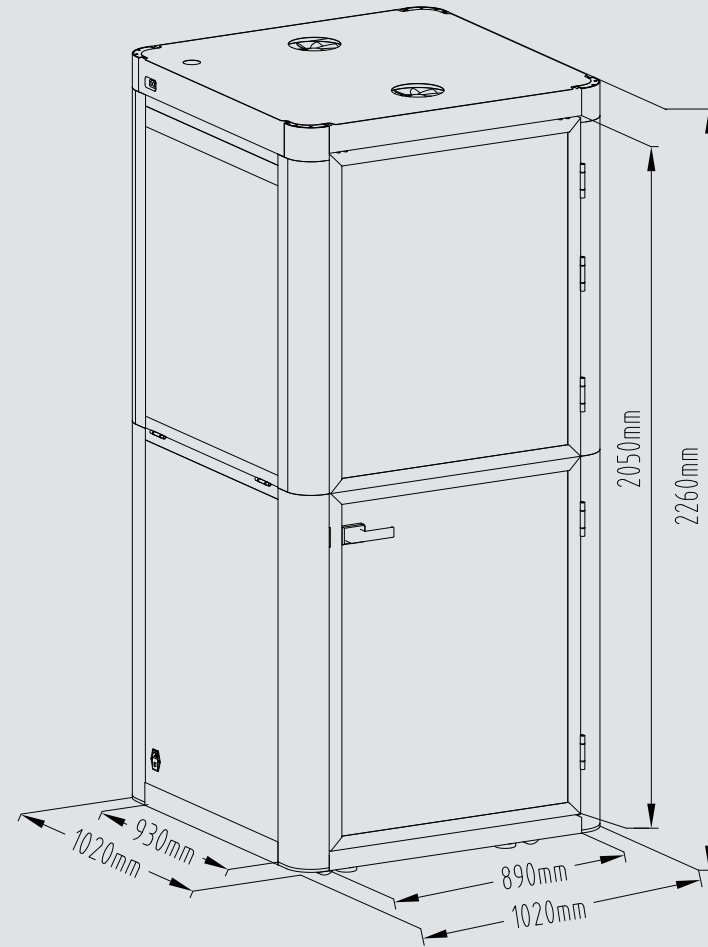


euroseats

Efficient Meetings with Privacy Space for Modern Offices.



euroseats



euroseats

Euroseats B.V.
Deventerweg 7
3771 NP
Barneveld
Netherlands